

Standard and Certifications 標準與認證

UL Std NO.508 17th Ed - Industrial Control Equipment to the requirements of CSA standard NO. 14-05 auxiliary device, contact rated 120VAC 6A, resistive, heavy pilot duty or A600 with NC and NO contact, used for push button switches, selector switches, double push button switches, push button switches with illuminated, selector switches with illuminated, pilot lights.

Technical data 技術參數

Insulation voltage $U_i$ 額定絕緣電壓 : 600V Thermal current 1th (A) 額定發熱電流 : 10A Short circuit current : 1000A AC15 120V 6A, 240V 3A AC12 480V 1.5A, 600V 1.2A DC12 120V 2.2A, 240V 0.6A, 480V 0.4A Ambient temperature 工作溫度 : -20 to 60 °C Contact resistance 接觸電阻 : 50mΩ max IP Enclosure 保護等級 : IP65	<b>Life 壽命</b> Push buttons 按鈕開關 : 1 million operations Selector and Key selector 選擇, 鑰匙開關 : 600,000 operations Contact blocks 接點組 : 1million operations
--	---

Bulb type 燈泡規格

Bulb type: Ba9s LED lamp	voltage 電壓 : AC/DC 6V, AC/DC 12V, AC/DC 24V, AC110V, AC220V
Bulb type: SMD LED lamp	voltage 電壓 : AC/DC 6V, AC/DC 12V, AC/DC 24V, AC110V, AC220V
Bulb life 壽命 : $\geq 30,000$ hours, $\geq 3$ 萬小時	
Colours of bulb 燈泡顏色 : <span style="color:red">R</span> <span style="color:green">G</span> <span style="color:yellow">Y</span> <span style="color:blue">BL</span> <span style="border:1px solid black; border-radius:50%; padding:2px;">W</span>	

S-9 LED lamp 燈泡 Rated voltage 電壓 : 6V, 12V, 24V, 110V, 220V  
 Type: S - 9L -  -



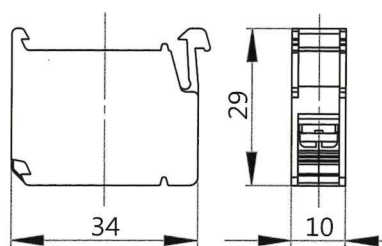
R G Y BL W

S-9 SMD LED lamp 燈泡 voltage 電壓 : 6V, 12V, 24V, 110V, 220V  
 Type: S - 9SL -  -

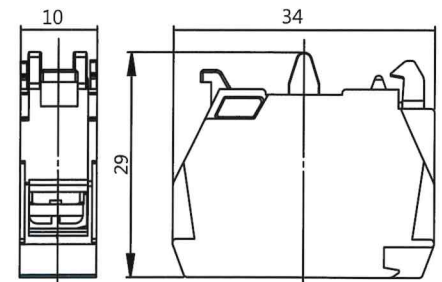


R G Y BL W

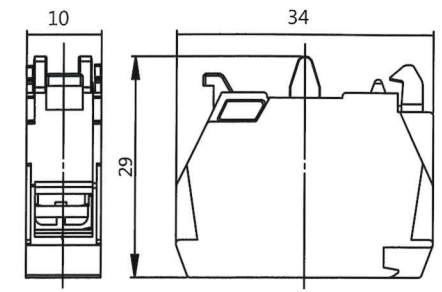
S-9 Lamp holder 燈座  
 Type: T2 - LH



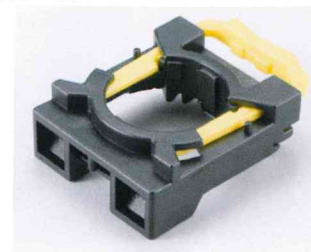
Contact block 接點  
 T2 - 10 (NO, 1a)



Contact block 接點  
 T2 - 01 (NC, 1b)




Coupler 連接座  
 T2 - CP




Metal ring 金屬環  
 T2 - MR



T2-PL



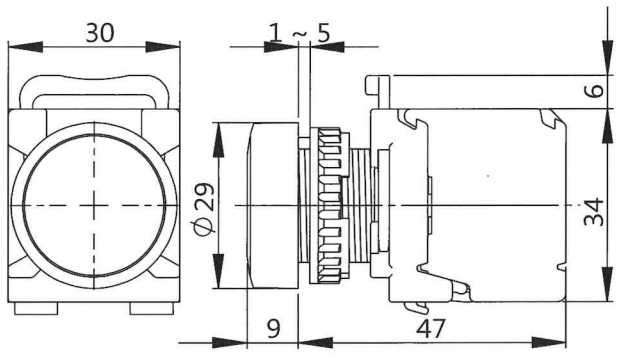
T2-MPL




Pilot lamp 指示燈

規格型號 Type	電壓 Voltage	顏色 Colour
PL-□□	110V	1 <span style="color: red;">●</span> R
MPL-□□	220V	2 <span style="color: green;">●</span> G
MRPL-□□	380V	3 <span style="color: yellow;">●</span> Y
T2 L-□□	440V	4 <span style="color: blue;">●</span> BL
MRL-□□	6V	6 <span style="color: white;">○</span> W
	12V	12
	24V	24


Dimensions 尺寸




T2-MRPL



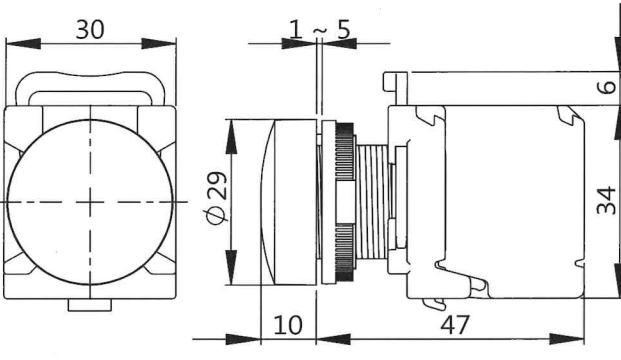
T2-L



T2-MRL



Dimensions 尺寸



**PUSH BUTTON SWITCH 按鈕開關**

Ordering information (22mmΦ & 25mmΦ mounting)

T2 - 1 2 3 4

1. Actuators material 頭部材質

P	Engineering plastic 工程塑膠
M	Metal head 鑲金屬圈頭
MR	Metal head & Metal ring 鑲金屬圈頭 & 金屬鎖緊圈
R	Metal ring 金屬鎖緊圈

2. Type 頭型

F	Flat 平頭
L	Long head 凸頭
M	Mushroom 洋菇頭
ES	Emergency stop 洋菇頭急停
DB	Double - touch 雙頭按鈕
DBF	Double button flat head 雙平頭按鈕
PF	Push ON - Push OFF 交替式按鈕
PR	E-stop, Latch, Pull to Release 按拉式急停
EK	Mushroom key lock 鎖扣式洋菇頭按鈕

P: Engineering plastic

M: Metal head



R: Metal ring

MR: Metal head & Metal ring

3. Type of contact 接點型式

圖型 Symbol					
接點代碼 Codes	10	01	11	20	02
接點 Contacts	NO	NC	NO+NC	2NO	2NC
	一常開	一常閉	一常開一常閉	二常開	二常閉

4. Colour 顏色



## T2 series control elements, T2型控制元件

### T2-PF Engineering plastic head Push button switch 平頭按鈕

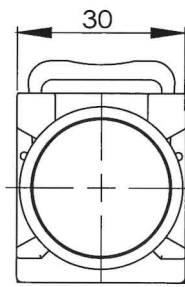


規格型號 Type		接點 Contact	顏色 Colour
PF	-10- <input type="checkbox"/>	1N/O	● R
MF	-01- <input type="checkbox"/>	1N/C	● G
T2	MRF -11- <input type="checkbox"/>	1NO+1NC	● Y
	-20- <input type="checkbox"/>	2N/O	● BL
	-02- <input type="checkbox"/>	2N/C	○ W
			● B

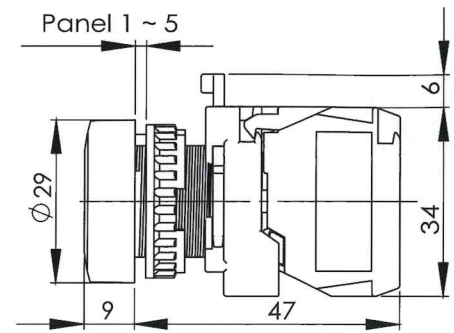
T2-PF: Engineering plastic head

T2-MF: Metal ring

T2-MRF: Metal head & Metal ring



### Dimensions 尺寸



### T2-PPF Engineering plastic head Push ON - Push OFF switch 交替式按鈕

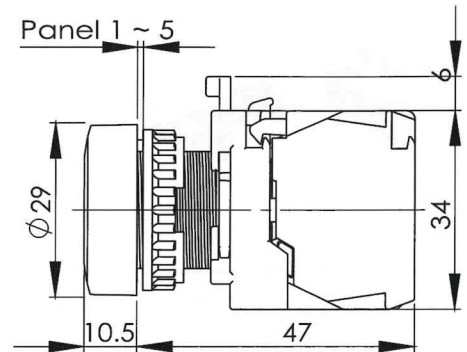
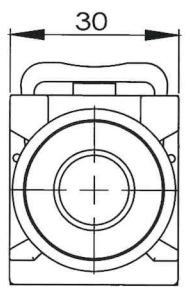


規格型號 Type		接點 Contact	顏色 Colour
PPF	-11- <input type="checkbox"/>	1NO+1NC	● R
MPF	-20- <input type="checkbox"/>	2N/O	● G
T2	MRPF -02- <input type="checkbox"/>	2N/C	● Y
			● BL
			○ W

T2-PPF: Engineering plastic head

T2-MPF: Metal ring

T2-MRPF: Metal head & Metal ring



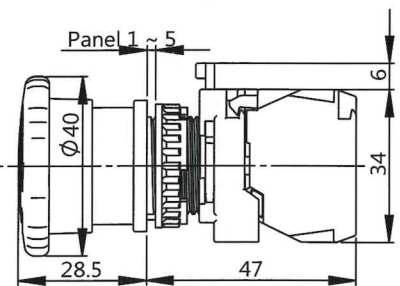
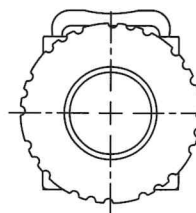
### T2-PMS 35φ head, T2-PM 40φ head Mushroom head push button 洋菇頭按鈕



規格型號 Type		接點 Contact	顏色 Colour
PM	-10- <input type="checkbox"/>	1N/O	● R
PRM	-01- <input type="checkbox"/>	1N/C	● G
T2	PMS -11- <input type="checkbox"/>	1NO+1NC	● Y
	PRMS -20- <input type="checkbox"/>	2N/O	
	-02- <input type="checkbox"/>	2N/C	

T2-PMS: mushroom head 35mmφ

T2-PRMS: mushroom head 35mmφ



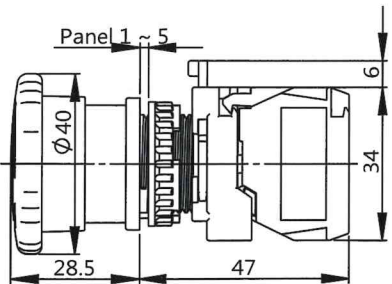
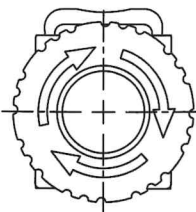
### T2-PESS 35φ head, T2-PES 40φ head Mushroom head E-stop 洋菇頭急停



規格型號 Type		接點 Contact	顏色 Colour
PES	-10- <input type="checkbox"/>	1N/O	● R
PRES	-01- <input type="checkbox"/>	1N/C	
T2	PESS -11- <input type="checkbox"/>	1NO+1NC	
	PRESS -20- <input type="checkbox"/>	2N/O	
	-02- <input type="checkbox"/>	2N/C	

T2-PESS: mushroom head 35mmφ

T2-PRESS: mushroom head 35mmφ



T2-DBF Plastic ring

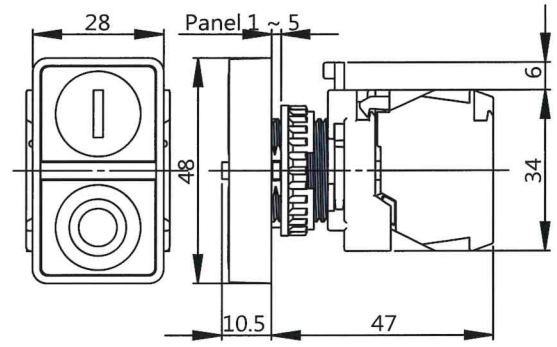
Double touch flat head 雙平頭按鈕

Dimensions 尺寸



規格型號 Type		接點 Contact	顏色 Colour
T2	DBF -11- <input type="checkbox"/>	1NO+1NC	● R
	DBFR -20- <input type="checkbox"/>	2N/O	● G
	-02- <input type="checkbox"/>	2N/C	

T2-DBF: Plastic ring  
T2-DBFR: Metal ring



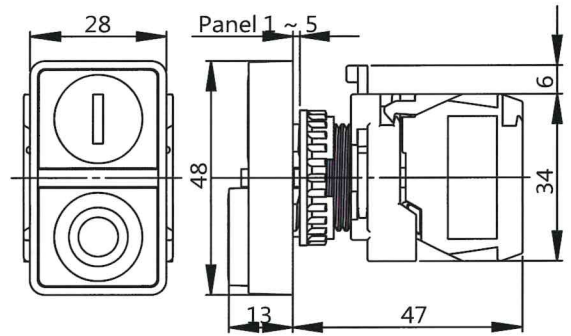
T2-DB Plastic ring

Double touch button 雙頭高低按鈕



規格型號 Type		接點 Contact	顏色 Colour
T2	DB -11- <input type="checkbox"/>	1NO+1NC	● R
	DBR -20- <input type="checkbox"/>	2N/O	● G
	-02- <input type="checkbox"/>	2N/C	

T2-DB: Plastic ring  
T2-DBR: Metal ring



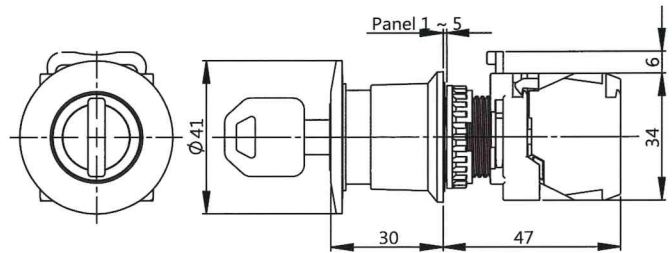
T2-EK Plastic ring

Mushroom key lock 鎖扣式按鈕



規格型號 Type		接點 Contact	顏色 Colour
T2	EK -10- <input type="checkbox"/>	1N/O	● R
	REK -01- <input type="checkbox"/>	1N/C	
	-11- <input type="checkbox"/>	1NO+1NC	
	-20- <input type="checkbox"/>	2N/O	
	-02- <input type="checkbox"/>	2N/C	

T2-EK: Plastic ring  
T2-REK: Metal ring



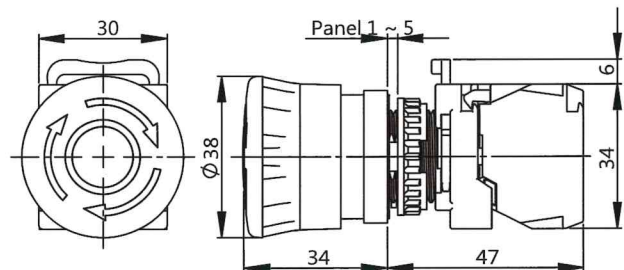
T2-PR Plastic ring

E-stop, Latch, Pull to release 按拉式急停



規格型號 Type		接點 Contact	顏色 Colour
T2	PR -10- <input type="checkbox"/>	1N/O	● R
	RPR -01- <input type="checkbox"/>	1N/C	
	-11- <input type="checkbox"/>	1NO+1NC	
	-20- <input type="checkbox"/>	2N/O	
	-02- <input type="checkbox"/>	2N/C	

T2-PR: Plastic ring  
T2-RPR: Metal ring



**ILLUMINATED PUSH BUTTON SWITCH 照光按鈕開關**

T2 - 1 2 3 4 5

1. Actuators material 頭部材質

P	Engineering plastic 工程塑膠
M	Metal head 鑲金屬圈頭
MR	Metal head & Metal ring 鑲金屬圈頭 & 金屬鎖緊圈
R	Metal ring 金屬鎖緊圈

2. Type 頭型

LF	Illuminated flat 照光平頭
GF	Illuminated guard 照光保護型
ML	Illuminated mushroom 洋菇頭照光按鈕
ESL	Illuminated emergency stop 連鎖洋菇頭急停
DBFL	Illuminated double button flat head 雙平頭照光按鈕
DBL	Illuminated double touch 雙頭照光按鈕
PFL	Illuminated Push ON - Push OFF 交替式照光按鈕

3. Type of contact 接點型式

圖型 Symbol					
接點代碼 Codes	10	01	11	20	02
接點 Contacts	NO	NC	NO+NC	2NO	2NC
	一常開	一常閉	一常開一常閉	二常開	二常閉

4. Voltage 電壓

1	110V	6	6V
2	220V	12	12V
3	380V	24	24V
4	440V		

5. Colour 顏色

R 紅	G 綠	Y 黃	BL 藍	W 白
-----	-----	-----	------	-----

T2-PLF Engineering plastic head Illuminated push button 平頭照光按鈕

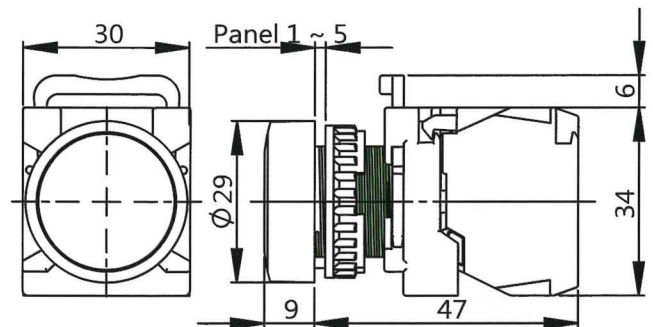
Dimensions 尺寸



規格型號 Type	接點 Contact	電壓 Voltage	顏色 Colour
PLF -10-□□	1N/O	1	R
MLF -01-□□	1N/C	2	G
MRLF -11-□□	1NO+1NC	3	Y
T2	-20-□□	2N/O	4
	-02-□□	2N/C	6
			12
			24

T2-MLF: Metal ring

T2-MRLF: Metal head & Metal ring



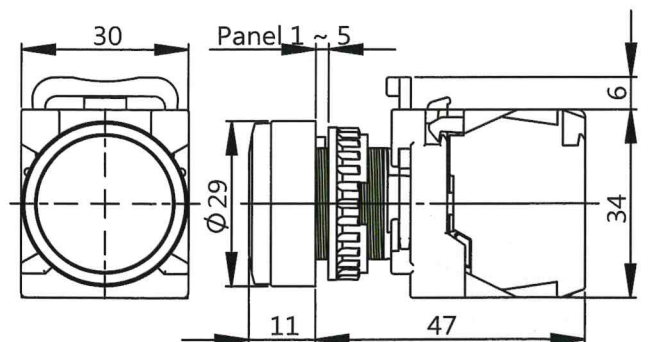
T2-PGF Engineering plastic head Illuminated guard ring push button 保護型照光按鈕



規格型號 Type	接點 Contact	電壓 Voltage	顏色 Colour
PGF -10-□□	1N/O	1	R
MGF -01-□□	1N/C	2	G
MRGF -11-□□	1NO+1NC	3	Y
T2	-20-□□	2N/O	4
	-02-□□	2N/C	6
			12
			24

T2-MGF: Metal ring

T2-MRGF: Metal head & Metal ring



T2-ML Engineering plastic head

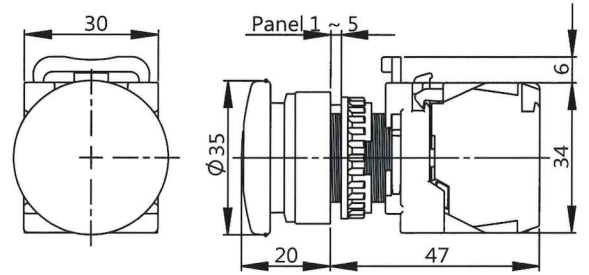


Illuminated mushroom head 洋菇頭照光按鈕

規格型號 Type	接點 Contact	電壓 Voltage	顏色 Colour
ML -10-□□	1N/O	1	● R
MRL -01-□□	1N/C	2	● G
-11-□□	1NO+1NC	3	● Y
-20-□□	2N/O	4	● BL
-02-□□	2N/C	6	
		12	
		24	

T2-MRL: Metal ring & Metal head

Dimensions 尺寸



T2-PPFL Engineering plastic head

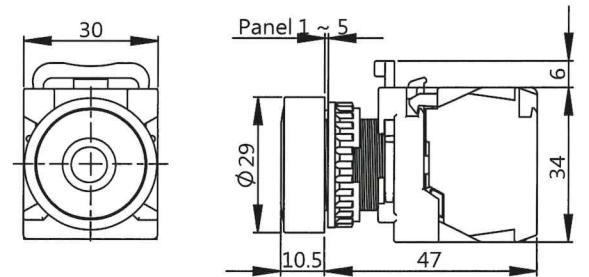


Illuminated Push ON - Push OFF 交替式照光按鈕

規格型號 Type	接點 Contact	電壓 Voltage	顏色 Colour
PPFL -10-□□	1N/O	1	● R
MPFL -01-□□	1N/C	2	● G
MRPFL -11-□□	1NO+1NC	3	● Y
-20-□□	2N/O	4	● BL
-02-□□	2N/C	6	○ W
		12	
		24	

T2-MPFL: Metal head

T2-MRPFL: Metal ring & Metal head



T2-ESL Engineering plastic head



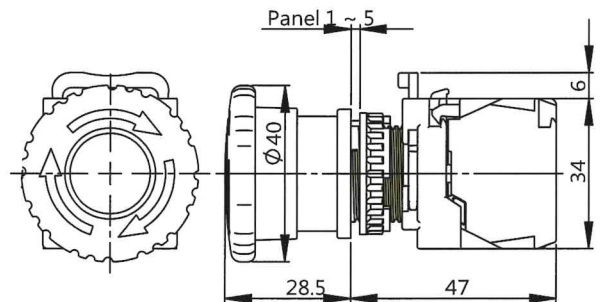
Illuminated emergency stop 洋菇頭照光急停

規格型號 Type	接點 Contact	電壓 Voltage	顏色 Colour
ESL -10-□□	1N/O	1	● R
RESL -01-□□	1N/C	2	● G
-11-□□	1NO+1NC	3	● Y
-20-□□	2N/O	4	● BL
-02-□□	2N/C	6	
		12	
		24	

T2-RESL Metal ring

T2-ESL: mushroom head 40mmφ 大洋菇頭

T2-ESLS: mushroom head 35mmφ 小洋菇頭



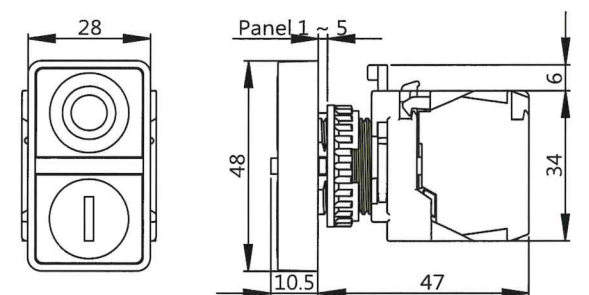
T2-DBFL Flat head



Illuminated double button 雙頭照光式按鈕

規格型號 Type	接點 Contact	電壓 Voltage	顏色 Colour
DBFL -11-□□	1NO+1NC	1	● R
DBL -20-□□	2N/O	2	● G
-02-□□	2N/C	3	● Y
		4	
		6	
		12	
		24	

T2-DBL: Long & Flat head



**SELECTOR SWITCH & KEY SWITCH 選擇開關 & 鑰匙開關**

T2 - 1 2 3 4

**1. Actuators material 頭部材質**

P	Engineering plastic 工程塑膠	MR	Metal head & Metal ring 鑲金屬圈頭&金屬鎖緊圈
M	Metal head 鑲金屬圈頭	R	Metal ring 金屬鎖緊圈



R: Metal ring

**2. Type 頭型**

S2	Knob 2 position 短柄二段	LRS3R	Spring return long knob 3 position right side 長柄三段右復歸
S3	Knob 3 position 短柄三段	LRS3L	Spring return long knob 3 position left side 長柄三段左復歸
LS2	Long knob 2 position 長柄二段	K2	Key operated 2 position, drawable 鑰匙開關二段
LS3	Long knob 3 position 長柄三段	K2N	Key operated 2 position, non-drawable 鑰匙開關二段不可抽
RS2	Spring return 2 position 短柄二段復歸	K3	Key operated 3 position, drawable 鑰匙開關三段
RS3	Spring return 3 position both side 短柄三段復歸	K3N	Key operated 3 position, non-drawable 鑰匙開關三段不可抽
RS3R	Spring return 3 position right side 短柄三段右復歸	K2R	Key operated 2 position, spring return 鑰匙開關二段復歸
RS3L	Spring return 3 position left side 短柄三段左復歸	K3R	Key operated 3 position, spring return 鑰匙開關三段復歸
LRS2	Spring return long knob 2 position 長柄二段復歸	K3RR	Key operated 3 position, spring return right side 鑰匙開關三段右復歸
LRS3	Spring return long knob 3 position both side 長柄三段復歸	K3RL	Key operated 3 position, spring return left side 鑰匙開關三段左復歸

**3. Type of contact 接點型式**

圖型 Symbol					
接點代碼 Codes	10	01	11	20	02
接點 Contacts	NO	NC	NO+NC	2NO	2NC
	一常開	一常閉	一常開一常閉	二常開	二常閉



MR: Metal head & Metal ring

**4. Colour 顏色**

R 紅	G 綠	Y 黃	BL 藍	W 白	BK 黑
-----	-----	-----	------	-----	------

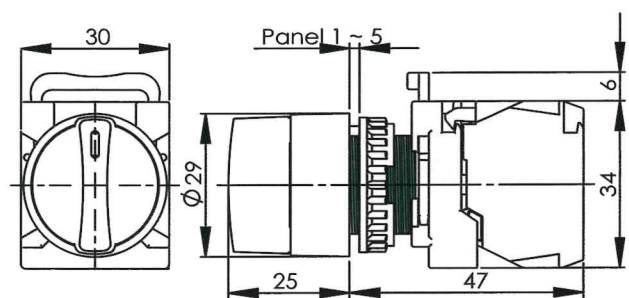
**T2-PS2 Engineering plastic head Selector switch 2 position 選擇開關二段**

Dimensions 尺寸



規格型號 Type	接點 Contact	顏色 Colour
PS2 -10-□	1N/O	● R
MS2 -01-□	1N/C	● G
T2 MRS2 -11-□	1NO+1NC	● Y
RS2 -20-□	2N/O	● BL
MRRS2 -02-□	2N/C	● BK

T2-MS2: Metal head  
T2-MRS2: Metal head & Metal ring

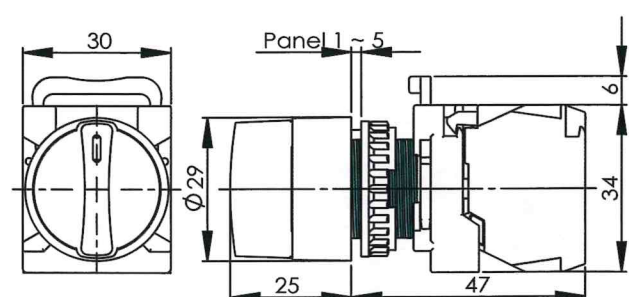


**T2-PS3 Engineering plastic head Selector switch 3 position 選擇開關三段**



規格型號 Type	接點 Contact	顏色 Colour
PS3 -11-□	1NO+1NC	● R
MS3 -20-□	2N/O	● G
T2 MRS3 -02-□	2N/C	● Y
RS3		● BL
MRRS3		● BK

T2-MS3: Metal head  
T2-MRS3: Metal head & Metal ring



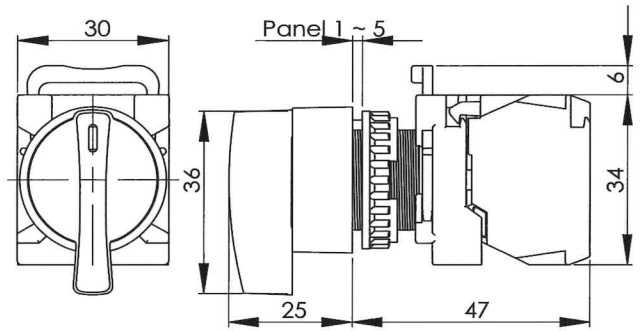
T2-LS2 Engineering plastic head Long knob selector 2 position 長柄選擇開關二段

Dimensions 尺寸



規格型號 Type		接點 Contact	顏色 Colour
T2	LS2 -10-	<input type="checkbox"/> 1N/O	● R
	MLS2 -01-	<input type="checkbox"/> 1N/C	● G
	MRLS2 -11-	<input type="checkbox"/> 1NO+1NC	● Y
	LRS2 -20-	<input type="checkbox"/> 2N/O	● BL
	MLRS2 -02-	<input type="checkbox"/> 2N/C	● BK
	MRLRS2		

T2-MLS2: Metal head  
T2-MRLS2: Metal head & Metal ring

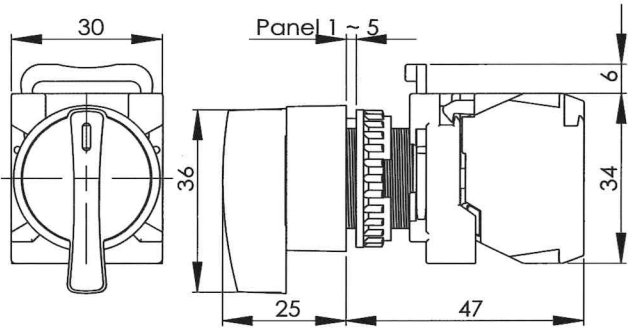


T2-LS3 Engineering plastic head Long knob selector 3 position 長柄選擇開關三段



規格型號 Type		接點 Contact	顏色 Colour
T2	LS3 -11-	<input type="checkbox"/> 1NO+1NC	● R
	MLS3 -20-	<input type="checkbox"/> 2N/O	● G
	MRLS3 -02-	<input type="checkbox"/> 2N/C	● Y
	LRS3		● BL
	MLRS3		● BK
	MRLRS3		
	LRS3R		
	MRS3R		
	MRRS3R		
	LRS3L		
	MLRS3L		
	MRLRS3L		

T2-MLS3: Metal head  
T2-MRLS3: Metal head & Metal ring

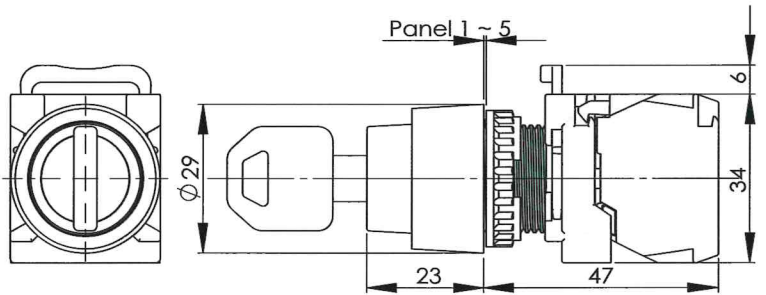


T2-K2 Key switch 2 position 鑰匙開關二段



規格型號 Type		接點 Contact
T2	K2 -10-	<input type="checkbox"/> 1N/O
	MRK2 -01-	<input type="checkbox"/> 1N/C
	K2R -11-	<input type="checkbox"/> 1NO+1NC
	MRK2R -20-	<input type="checkbox"/> 2N/O
	K2N -02-	<input type="checkbox"/> 2N/C
	MRK2N	

T2-MRK2: Metal ring

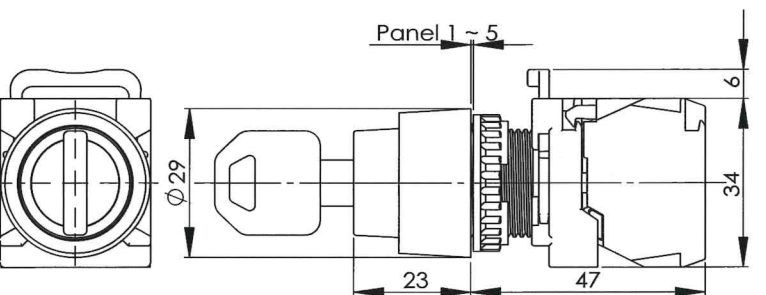


T2-K3 Key switch 3 position 鑰匙開關三段



規格型號 Type		接點 Contact
T2	K3 -11-	<input type="checkbox"/> 1NO+1NC
	MRK3 -20-	<input type="checkbox"/> 2N/O
	K3R -02-	<input type="checkbox"/> 2N/C
	MRK3R	
	K3N	
	K3RR	
K3RL		

T2-MRK3: Metal ring





**ILLUMINATED SELECTOR SWITCH 照光選擇開關**

T2 - 1 2 3 4 5

1. Actuators material 頭部材質

P	Engineering plastic 工程塑膠
M	Metal head 鑲金屬圈頭
MR	Metal head & Metal ring 鑲金屬圈頭 & 金屬鎖緊圈
R	Metal ring 金屬鎖緊圈



P: Engineering plastic head



M: Metal head

2. Type 頭型

SL2	ILLuminated 2 position 照光二段	RSL3R	ILLuminated spring return 3 position right side 照光三段右復歸
SL3	ILLuminated 3 position 照光三段	RSL3L	ILLuminated spring return 3 position left side 照光三段左復歸
LSL2	ILLuminated long knob 2 position 照光長柄二段	LRSL2	ILLuminated spring return long knob 2 position 照光長柄二段復歸
LSL3	ILLuminated long knob 3 position 照光長柄三段	LRSL3	ILLuminated spring return long knob 3 position both side 照光長柄三段復歸
RSL2	ILLuminated spring return 2 position 照光二段復歸	LRSL3R	ILLuminated spring return long knob 3 position right side 照光長柄三段右復歸
RSL3	ILLuminated spring return 3 position both side 照光三段復歸	LRSL3L	ILLuminated spring return long knob 3 position left side 照光長柄三段左復歸

3. Type of contact 接點型式

圖型 Symbol					
接點代碼 Codes	10	01	11	20	02
接點 Contacts	NO	NC	NO+NC	2NO	2NC
	一常開	一常閉	一常開一常閉	二常開	二常閉

4. Voltage 電壓

1	110V	6	6V
2	220V	12	12V
3	380V	24	24V
4	440V		

5. Colour 顏色

R 紅	G 綠	Y 黃	BL 藍	W 白
-----	-----	-----	------	-----

T2-PSL2 Engineering plastic head



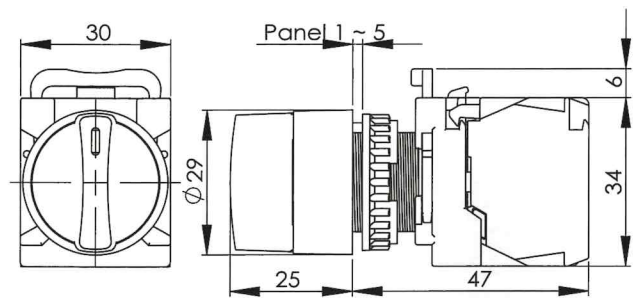
ILLuminated selector switch 照光選擇二段

規格型號 Type	接點 Contact	電壓 Voltage	顏色 Colour
PSL2 -10-□□	1N/O	1	● R
MSL2 -01-□□	1N/C	2	● G
MRSL2 -11-□□	1NO+1NC	3	● Y
T2 RSL2 -20-□□	2N/O	4	● BL
MRRSL2 -02-□□	2N/C	6	○ W
		12	
		24	

T2-MSL2: Metal head

T2-MRSL2: Metal head & Metal ring

Dimensions 尺寸



T2-PSL3 Engineering plastic head

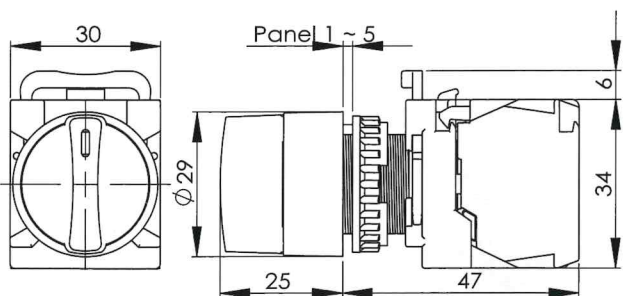


ILLuminated selector switch 照光選擇三段

規格型號 Type	接點 Contact	電壓 Voltage	顏色 Colour
PSL3 -11-□□	1NO+1NC	1	● R
MSL3 -20-□□	2N/O	2	● G
MRSL3 -02-□□	2N/C	3	● Y
T2 RSL3		4	● BL
MRRSL3		6	○ W
		12	
		24	

T2-MSL3: Metal head

T2-MRSL3: Metal head & Metal ring

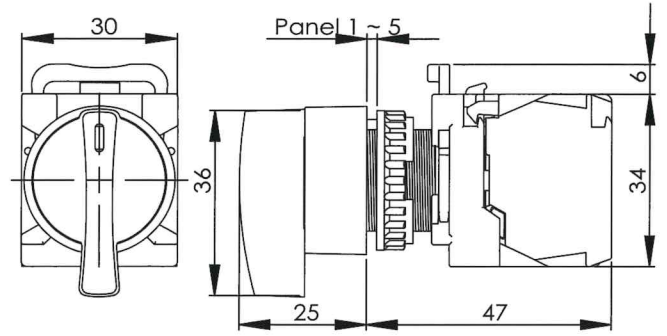


T2-PLSL2 Engineering plastic head Long knob Illuminated selector 長柄照光選擇二段 Dimensions 尺寸



規格型號 Type	接點 Contact	電壓 Voltage	顏色 Colour
PLSL2 -10	1N/O	1	R
MLSL2 -01	1N/C	2	G
MRLSL2 -11	1NO+1NC	3	Y
T2 LRSL2 -20	2N/O	4	BL
LMRSL2 -02	2N/C	6	W
		12	
		24	

T2-MLSL2: Metal head  
T2-MRLSL2: Metal head & Metal ring

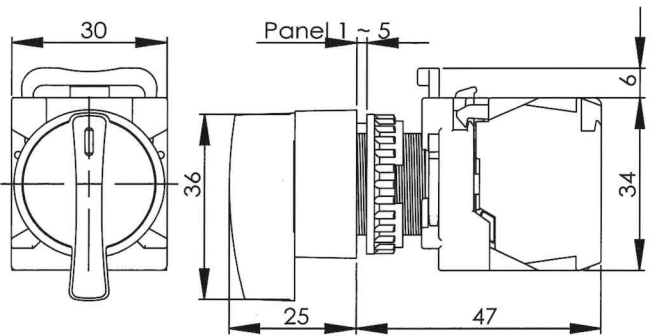


T2-PLSL3 Engineering plastic head Long knob Illuminated selector 長柄照光選擇三段



規格型號 Type	接點 Contact	電壓 Voltage	顏色 Colour
PLSL3 -11	1NO+1NC	1	R
MLSL3 -20	2N/O	2	G
MRLSL3 -02	2N/C	3	Y
LRSL3		4	BL
T2 LRSL3R		6	W
MLRSL3R		12	
LRSL3L		24	
MLRSL3L			
MLRSL3			

T2-MLSL3: Metal head  
T2-MRLSL3: Metal head & Metal ring



Control box 1 to 6 holes 控制盒 一孔 ~ 六孔

<p>B-1A</p>	<p>1 hole control box IP65 22mmφ</p>	<p>B-2A</p>	<p>2 hole control box IP65 22mmφ</p>
<p>B-3A</p>	<p>3 hole control box IP65 22mmφ</p>	<p>EG-13.5</p>	<p>cable grand for control box IP68</p> <p>Lock Nut EGL Body EGB Claw EGC Seal EGS Nut EGN</p>
<p>B-4A</p>	<p>4 hole control box IP65 22mmφ</p>	<p>B-5A</p>	<p>5 hole control box IP65 22mmφ</p>

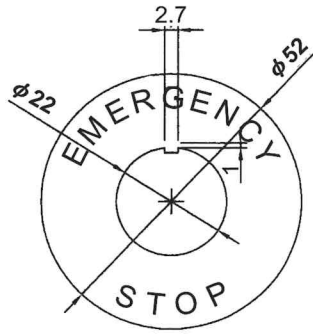


T2 series control elements, T2型控制元件



Control station No. of holes	Part No.	Control units combination						
		1	2	3	4	5	6	
1 hole B1-Y Yellow B1-G Gray	B1- <input type="checkbox"/>	01	T2-PR					
		02	T2-PES					
		03	T2-PMS-RC					
		04	T2-PES-G1					
		05	T2-PES-G2BM4					
		06	T2-PF11					
		07	T2-KS11					
		08	T2-CS11					
		09	T2-DBF					
		10						
2 holes B2-Y Yellow B2-G Gray	B2- <input type="checkbox"/>	01	T2-PF11R	T2-PF11G				
		02	T2-PES01R	T2-PF11G				
		03	T2-PGF11R	T2-PGF11G				
		04	T2-K210	T2-PF11G				
3 holes B3-Y Yellow B3-G Gray	B3- <input type="checkbox"/>	01	T2-PF11R	T2-PF11G	T2-PF11Y			
		02	T2-PES01R	T2-PF11R	T2-PF11BL			
		03	L22 R	T2-PF11R	T2-PF11G			
		04	T2-PGF01R	T2-PGF10G	T2-PGF10W			
4 holes B4-Y Yellow B4-G Gray	B4- <input type="checkbox"/>	01	L22 R	T2-PF01R	T2-PF10G	T2-PF10Y		
		02	T2-PES01R	T2-PF01R	T2-PF10G	T2-PF10Y		
		03	T2-PES01R	T2-PGF01R	T2-PGF10G	T2-PGF10Y		
5 holes B5-Y Yellow B5-G Gray	B5- <input type="checkbox"/>	01	L22 R	T2-PES01R	T2-PF01R	T2-PF10G	T2-PF10Y	
		02	T2-PES01R	T2-PF01R	T2-PF10G	T2-PF10Y	T2-PF10BK	
6 holes B6-Y Yellow B6-G Gray	B6- <input type="checkbox"/>	01	T2-PES01R	T2-PGF11Y	T2-PF10G	T2-PF01R	T2-PF10Y	T2-PF10BK
		02	T2-PES01R	T2-PS2-11	T2-PF10G	T2-PF10Y	T2-PF01R	T2-PF10BL
		03	T2-PES01R	T2-PF01R	T2-PF10G	T2-PF10Y	T2-PF10BL	T2-PF10BK

**G2-BM4**  
Legend plate



I.D. 22 φ O.D. 52 φ

Water proof boot silicon rubber

T2-DWB

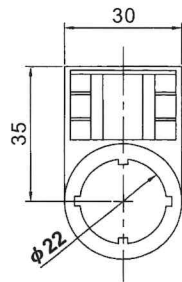
T2-WB



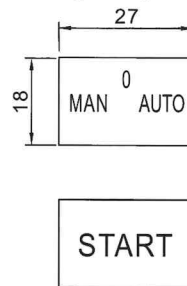
**PF-B22**  
Legend plate Frame



Legend plate frame



Legend plate



**PC-B22**

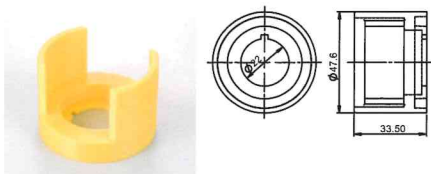
Button protect cover



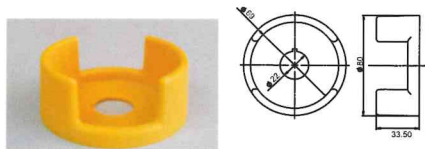
Legend plates LP-01, 02, ..... LP-307

UP 01	START 02	STOP 03	OPEN 04	CLOSE 05	ON 06	OFF 07	FWD 08	REV 09	HIGH 10	LOW 11
OFF ON 21	0 1 22	I II 23	STOP START 24	HIGH LOW 25	MAN AUTO 26	UP DOWN 27	POWER 12	DOWN 13	RUN 14	電源 15
OFF ON ON ON 301	OFF MAN AUTO 302	OFF HIGH LOW 303	OFF FOR REV 304	1 0 2 305	OFF UP DOWN 306	0 I II 307	運轉 16	啟動 17	停止 18	停止 手動 自動 19

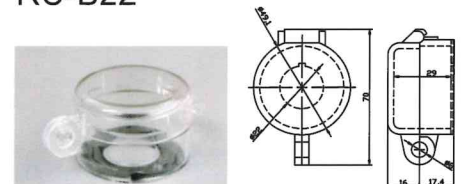
EMO switch guards  
G1-B22



EMO switch guards  
G2-B22



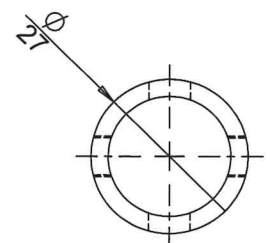
Pad lock cover  
RC-B22



Legend plate for Control box Size: 17x17mm

Locking ring wrench LW-B22

ON CP01	OFF CP02	START CP03	STOP CP04	
FOR CP05	REV CP06	UP CP07	DOWN CP08	
ON OFF CP09	START STOP CP10	POWER CP11	↑ CP12	



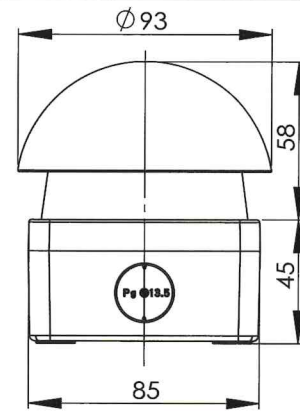
AFP - CT11R



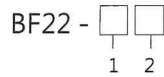
1. contact block

10	1N/O (1a)	30	3N/O (3a)
01	1N/C (1b)	03	3N/C (3b)
11	1N/O+1N/C (1a1b)	21	2N/O 1N/C
20	2N/O (2a)	12	1N/O 2N/C
02	2N/C (2b)		

2. color ● ● ● ●  
R G Y B



BUZZER - 22mm mounting

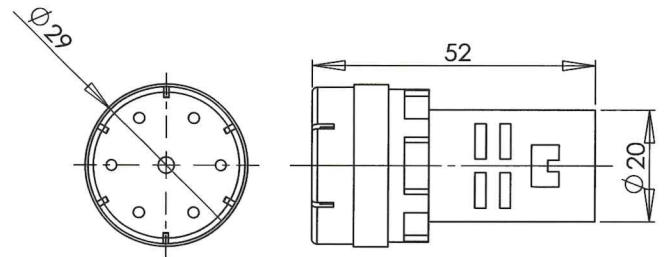


1. voltage

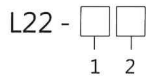
1	AC100-120V
2	AC220-240V
12	AC, DC 12V
24	AC, DC 24V

2. color

- Red
- Green
- Yellow
- Blue



Signal lamp

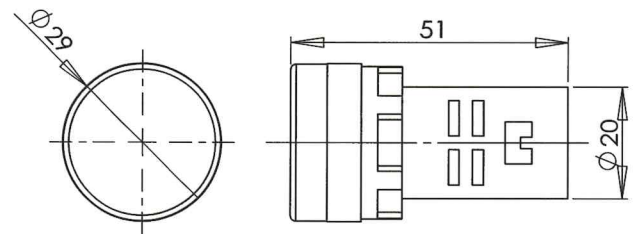


1. voltage

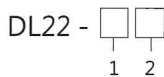
1	AC/DC 110V
2	AC/DC 220V
3	AC/DC 380V
12	AC/DC 12V
24	AC/DC 24V

2. color

- Red
- Green
- Yellow
- Blue
- White



Signal lamp dual color

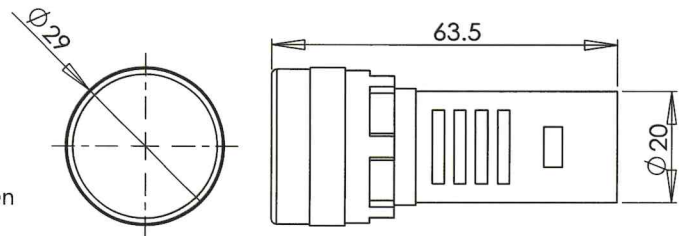


1. voltage

1	AC/DC 110V
2	AC/DC 220V
3	AC/DC 380V
24	AC/DC 24V
48	AC/DC 48V

2. color

- Red
- &
- Green



T2-G111



Contact block	
G110	1N/O (1a)
G101	1N/C (1b)
G111	1N/O+1N/C (1a1b)
G120	2N/O (2a)
G102	2N/C (2b)



T2-RC11



Contact block	
RC10	1N/O (1a)
RC01	1N/C (1b)
RC11	1N/O+1N/C (1a1b)
RC20	2N/O (2a)
RC02	2N/C (2b)



# T2 series flush mountable push button switches

## 埋入式按鈕開關

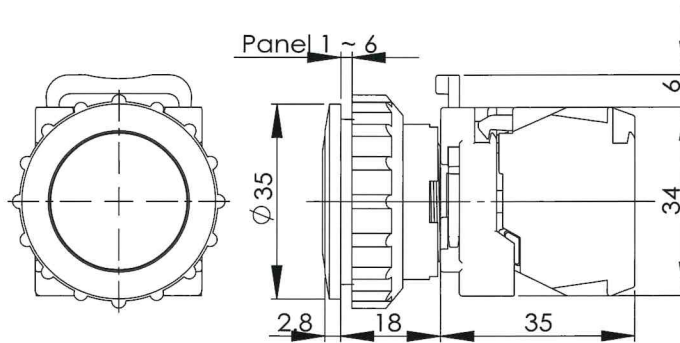


### Ordering information

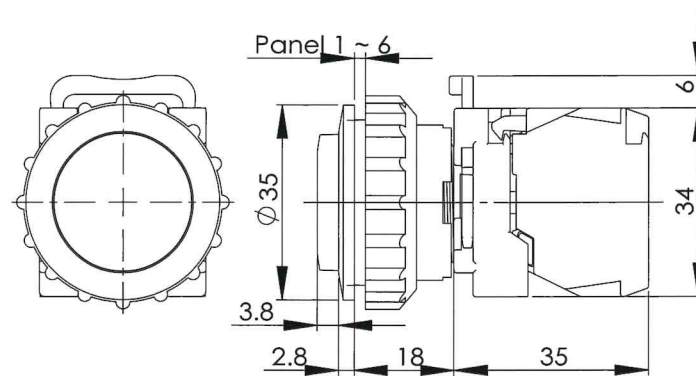
T2 -

Type 型式	Ring color 護圈	Mounting hole 孔徑	Type of contact 接點	Color 顏色
BF: Flat head 平頭	S: Silver 電鍍	3: 30mmΦ	10 1NO	● Red 紅
BL: Long head 凸頭	B: Black 黑色		01 1NC	● Green 綠
BE: Mushroom head 洋菇頭			11 1NO+1NC	● Yellow 黃
			20 2NO	● Black 黑
			02 2NC	● Blue 藍
				○ White 白

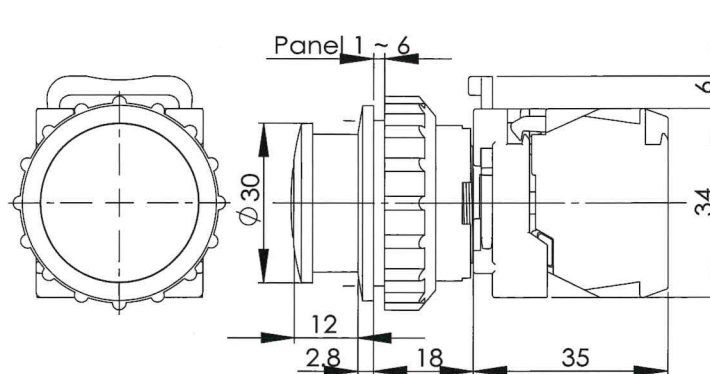
### T2 - BF



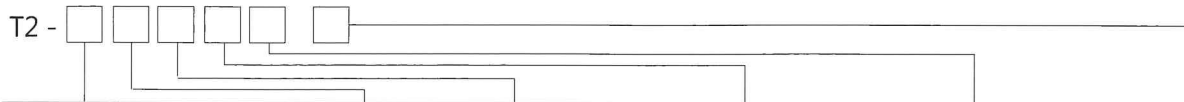
### T2 - BL



### T2 - BE

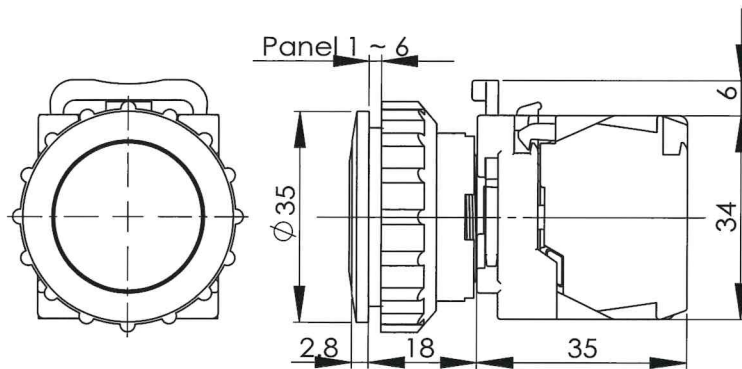


Ordering information

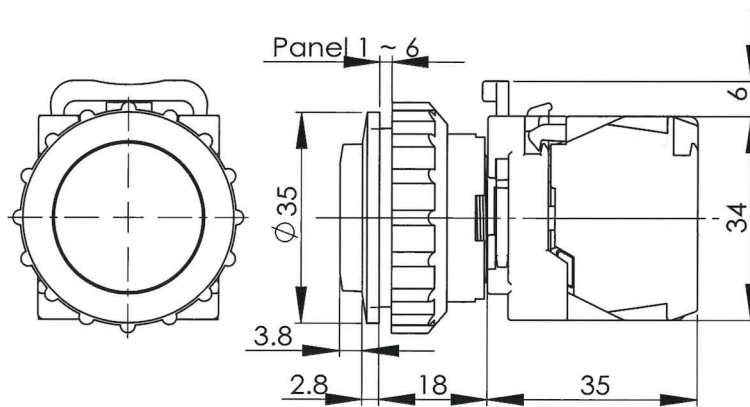


Type 型式	Ring color 護圈	Mounting hole 孔徑	Type of contact 接點		Voltage 電壓		Color 顏色
LBF: Flat head 平頭	S: Silver 電鍍	3: 30mmΦ	10	1NO	1	110V	● Red 紅
LBL: Extended head 凸頭	B: Black 黑色		01	1NC	2	220V	● Green 綠
LBE: Mushroom head 洋菇頭			11	1NO+1NC	3	380V	● Yellow 黃
			20	2NO	4	440V	● Black 黑
			02	2NC	6	6V	● Blue 藍
				12	12V	○ White 白	
					24	24V	

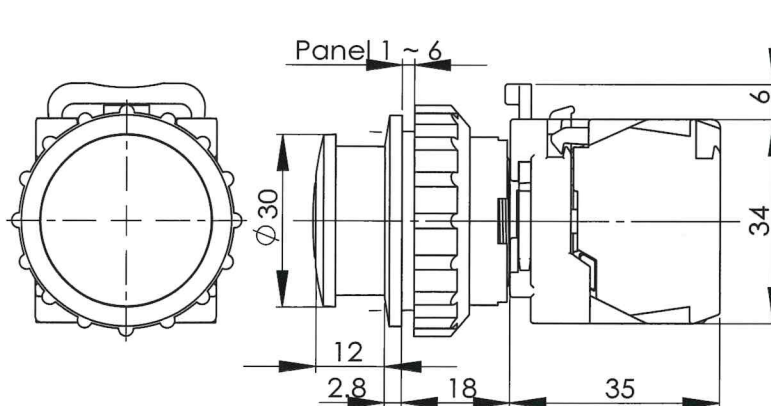
T2 - LBF



T2 - LBL



T2 - LBE





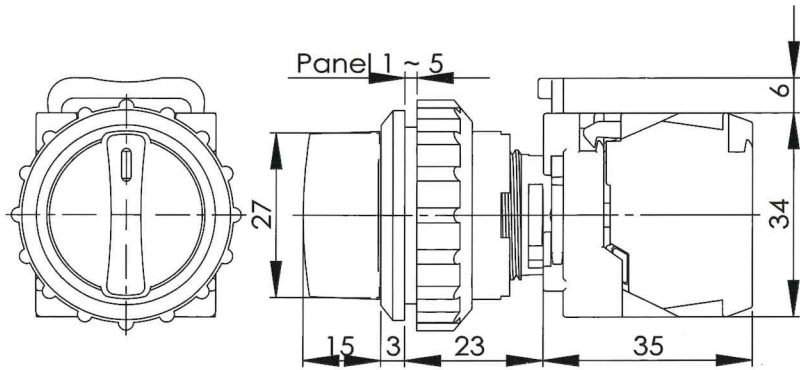
Ordering information

T2 -

Type 型式	Mounting hole 孔徑	Ring color 護圈	Type of contact 接點	Color 顏色
S2: knob 2 position 短柄二段	3: 30mmΦ	S: Silver 電鍍 B: Black 黑色	10 1NO 一常開	● Red 紅
S3: knob 3 position 短柄三段			01 1NC 一常閉	● Green 綠
LS2: long knob 2 position 長柄二段			11 1NO+1NC 一常開一常閉	● Yellow 黃
LS3: long knob 3 position 短柄三段			20 2NO 二常開	● Black 黑
RS2: spring return 2 position 短柄二段復歸			02 2NC 二常閉	
RS3: spring return 3 position 短柄三段復歸				
RS3R: spring return 3 position right side 短柄三段右復歸				
RS3L: spring return 3 position left side 短柄三段左復歸				
LRS2: spring return long knob 2 position 長柄二段復歸				
LRS3: spring return long knob 3 position 長柄三段復歸				
LRS3R: spring return long knob 3p. right side 長柄三段右復歸				
LRS3L: spring return long knob 3p. left side 長柄三段左復歸				

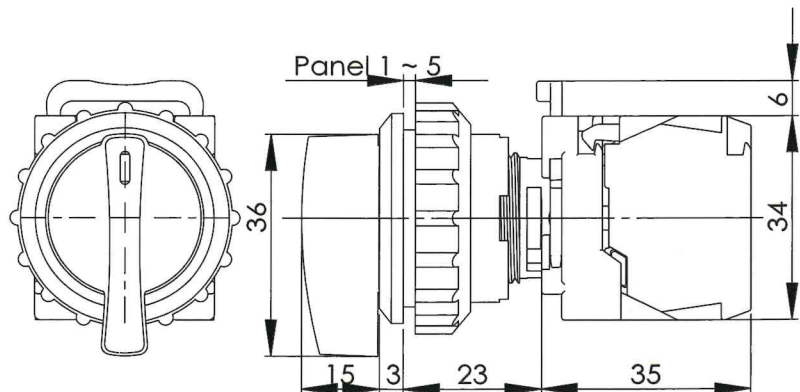
T2 - S2, RS2

T2 - S3, RS3, RS3R, RS3L



T2 - LS2, LRS2

T2 - LS3, LRS3, LRS3R, LRS3L



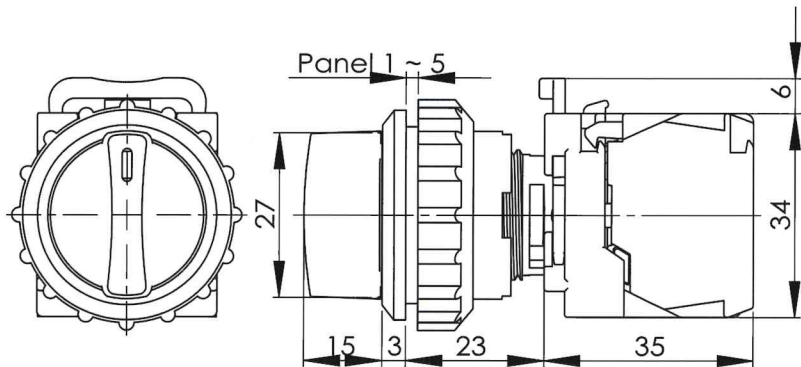
Ordering information

T2 -

Type 型式	Mounting hole 孔徑	Ring color 護圈	Type of contact 接點	Voltage 電壓		Color 顏色
SL2: Illuminated 2 position 照光短柄二段	3: 30mmΦ	S: Silver 電鍍 B: Black 黑色	10 1NO 一常開 01 1NC 一常閉 11 1NO+1NC 一常開一常閉 20 2NO 二常開 02 2NC 二常閉	1	110V	● Red 紅
SL3: Illuminated 3 position 照光短柄三段				2	220V	● Green 綠
LSL2: Illuminated long knob 2 position 照光長柄二段				3	380V	● Yellow 黃
LSL3: Illuminated long knob 3 position 照光長柄三段				4	440V	● Blue 藍
RSL2: Illuminated spring return 2 position 照光短柄二段復歸				6	6V	○ White 白
RSL3: Illuminated spring return 3 position 照光短柄三段復歸				12	12V	
RSL3R: Illuminated spring return 3p. right side 照光短柄三段右復歸				24	24V	
RSL3L: Illuminated spring return 3p. left side 照光短柄三段左復歸						
LRSL2: Illuminated spring return long knob 2p. 照光長柄二段復歸						
LRSL3: Illuminated spring return long knob 3p. both sides 照光長柄三段復歸						
LRSL3R: Illuminated spring return long knob 3p. right side 照光長柄三段右復歸						
LRSL3L: Illuminated spring return long knob 3p. left side 照光長柄三段左復歸						

T2 - SL2, RSL2

T2 - SL3, RSL3, RSL3R, RSL3L



T2 - LSL2, LRSL2

T2 - LSL3, LRSL3, LRSL3R, LRSL3L

